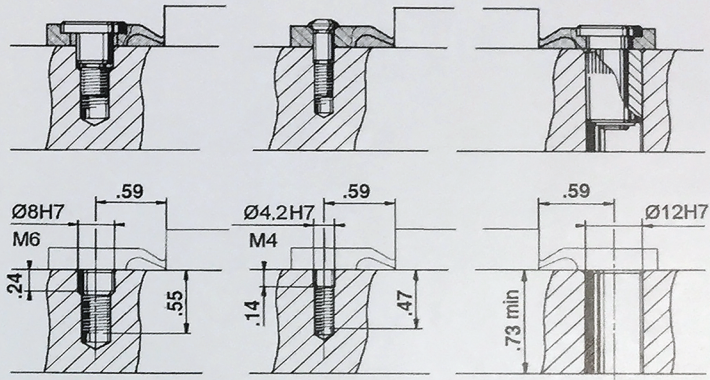
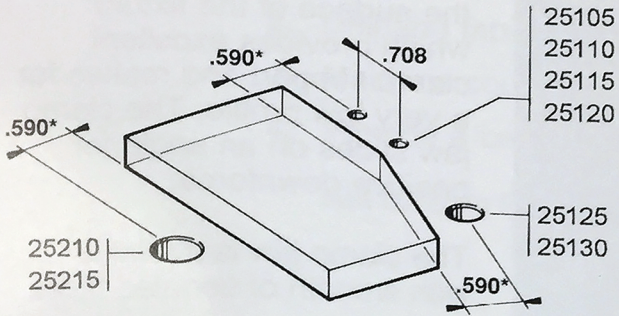
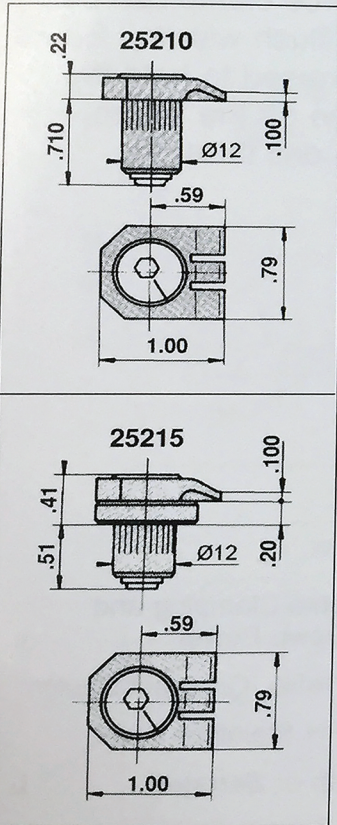


Requires metric tapped and reamed holes.

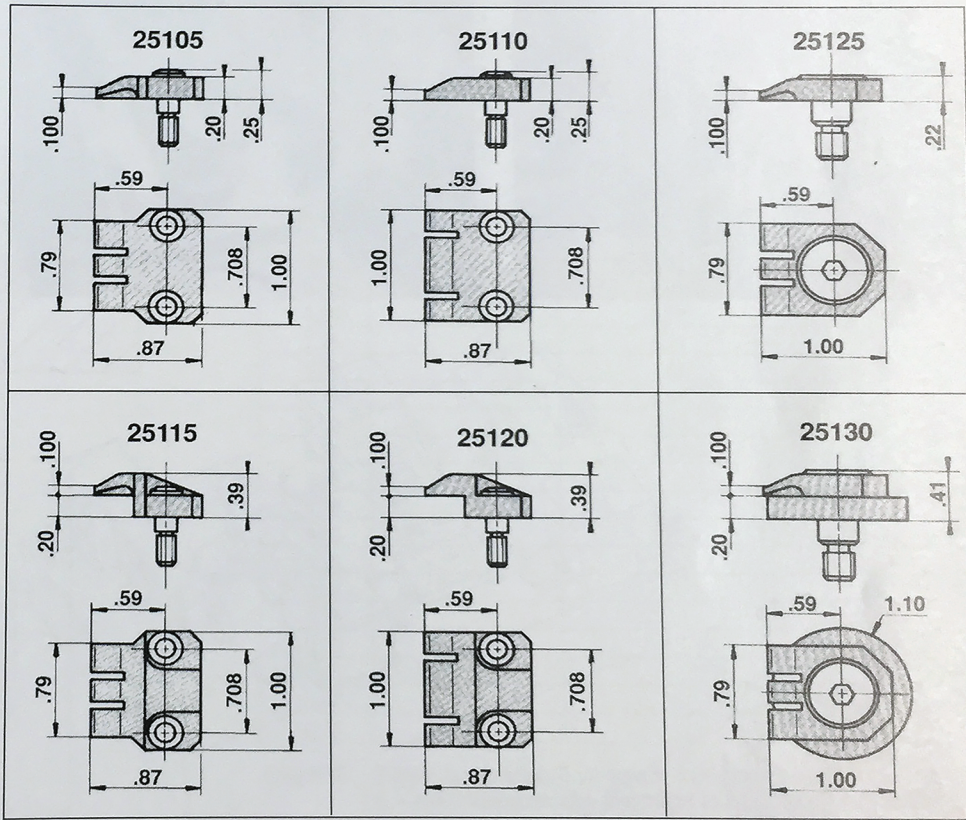


DIMENSIONS - TECHNICAL DATA

CAM ACTION CLAMPS



STOPS / LOCATORS



KOPAL® MINI CLAMPS AND STOPS

Part Number	Item
25105	Stop
25110	Stop
25115	Stop
25120	Stop
25125	Stop
25130	Stop
25210	Clamp
25215	Clamp

Mounting Screws included

CLAMPING KEY

