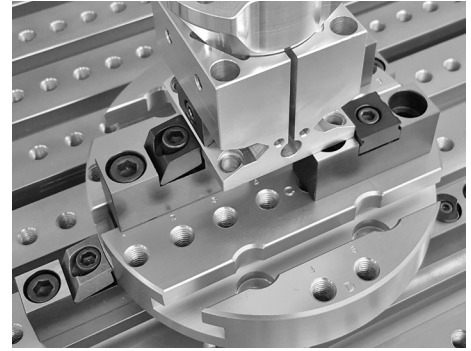


Modular In-Line Clamping System

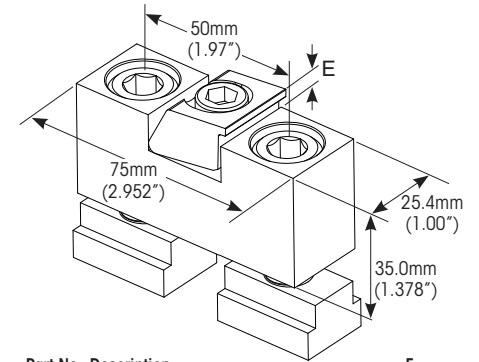
The Modular In-Line Clamping System is intended for mounting on T-Slot tables, T-Slot Sub Plates or directly to the work table. The 35mm tall precision ground steel Mounting Blocks are fitted with our Pitbull® Clamps (Knife-Edge, Blunt-Edge or Machinable) and the Stops are fitted with our Talongrip™ or Versagrip™ clamps. The system allows the position of the workpiece to be adjusted as needed and allows the workpiece to stand off from the mounting platform.



IN-LINE CLAMP WITH PITBULL® CLAMP

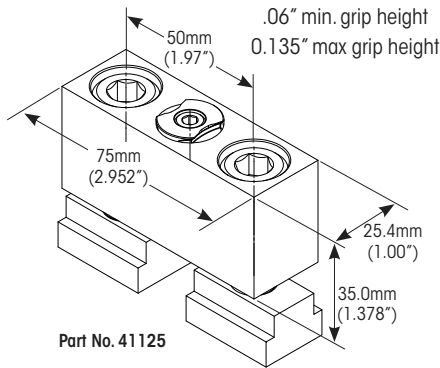
Mounting options:

- Mount with your existing T-nut directly to your work table
- Mount to T-slot Plate using our Tungsten Carbide faced high grip T-nuts or our 16" long T-nut Rail (see catalog or website)
- Fasten directly to table using M12 socket head cap screws (not included)
- Height of gripper can be adjusted by depth of slot or bore
- Same height as our large Modular Pitbull® Clamps creating more versatility

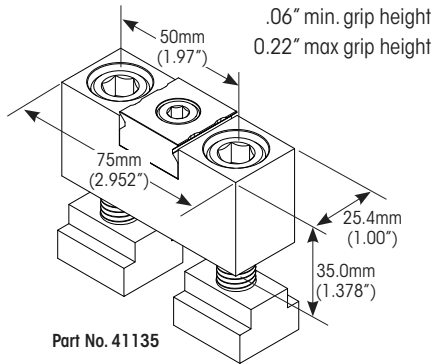


Part No.	Description	E
41225	Inline Clamp with Pitbull KNIFE EDGE	6.4mm (.25")
41226	Inline Clamp with Pitbull BLUNT EDGE	6.4mm (.25")
41227	Inline Clamp with Pitbull MACHINABLE	6.4mm (.25")

IN-LINE STOP WITH VERSAGRIP™



IN-LINE STOP WITH TALONGRIP™



Replacements

32175	Versagrip™ grips with M5 screws (2/pk)	M5x10mm SHCS
33150	Talongrip™ grips with M8 screws	M8x16mm SHCS
56070	Pitbull® M10 Knife-Edge (4/pk)	M10x25mm SHCS
56075	Pitbull® M10 Blunt-Edge (4/pk)	M10x25mm SHCS
56077	Pitbull® M10 Machinable (4/pk)	M10x25mm SHCS